

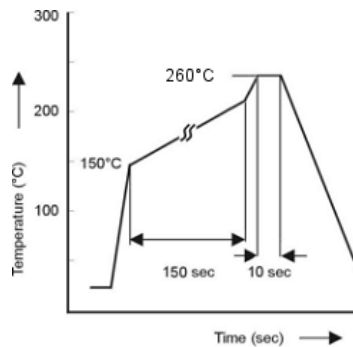
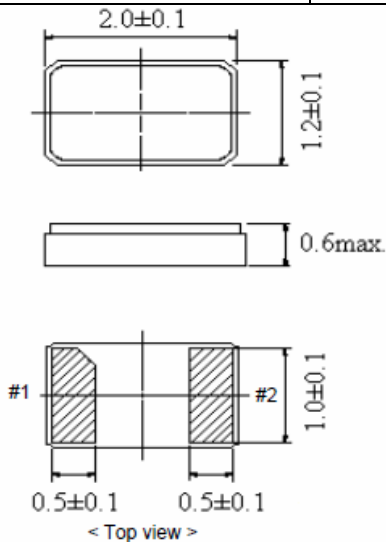


QUARTZ CRYSTAL

32,768 kHz

SMD-version

| | |
|---|--|
| model | KX-327RT |
| frequency | 32,768 kHz |
| operating temperature | -40° ~ +85° C |
| frequency tolerance (df/F) at +25° C ± 3° C | ± 20 ppm (±0,002%) |
| temperature tolerance at -40° ~ +85° C | -0,03 ppm ± 0,01/° C ² typ. |
| storage temperature range | -55° C ~ +125° C |
| turnover temperature | +25° C ± 5° C |
| load capacitance C _L | 12,5 pF ± 1,0 pF |
| motional capacitance(C ₁) | 7,0 pF typ. |
| series resonance R ₁ max. | 90k Ohm |
| aging (df/F) (first year) at 25° C ± 3° C | ± 5 ppm |
| shunt capacitance C ₀ | 1,3 pF typ. |
| drive level in μW max. | 0,5 μW typ. |
| reflow soldering condition | 10 seconds at +260° C max. |
| RoHS | since production start |
| contents of reel | 3000 pcs. |
| part no. | 12.87160 |



soldering condition

